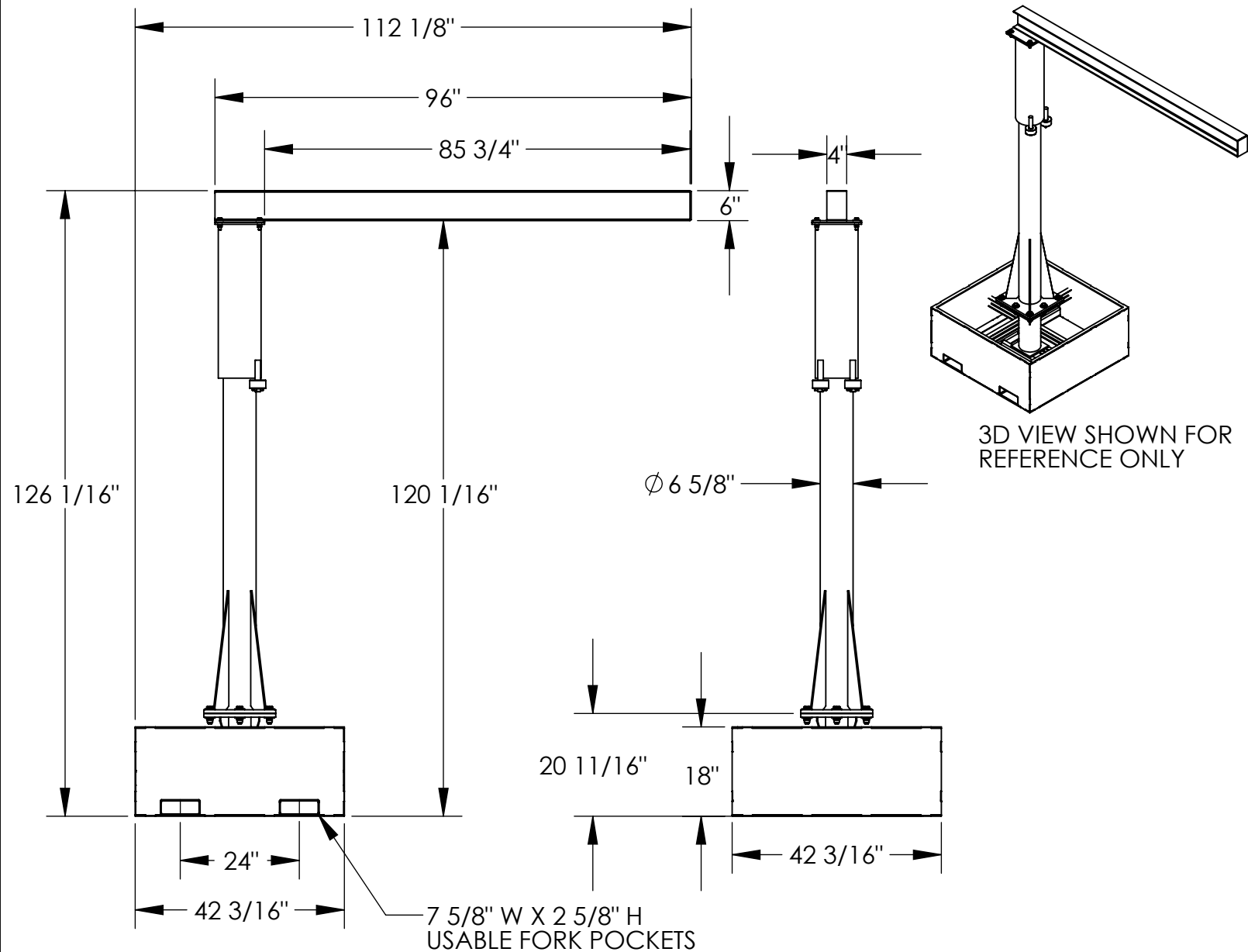


PORTABLE JIB CRANE - JIB-CB-50-8-10

APPROX WEIGHT: 875.47 lbs.
DOES NOT INCLUDE WEIGHT OF POWER OR PACKAGING!!!

ANY ADDITIONS, DELETIONS, OR OMISSIONS MUST BE CORRECTED ON THIS DRAWING AS THIS DRAWING WILL BE CONSIDERED ALL INCLUSIVE



ALL GRAPHICS PROVIDED ARE FOR REFERENCE ONLY. IF CERTAIN DIMENSIONS ARE CRITICAL PLEASE VERIFY THOSE DIMENSIONS WITH YOUR SALESPERSON

DIMENSION TOLERANCE ± 1/4"

STANDARD FEATURES

- MODEL NUMBER IS JIB-CB-50-8-10
- CAPACITY IS 500 LBS.
- OVERALL WIDTH IS 42 3/16"
- USABLE WIDTH IS 4"
- OVERALL I-BEAM LENGTH IS 96"
- USABLE I-BEAM LENGTH IS 85 3/4"
- OVERALL HEIGHT IS 126 1/16"
- UNDER I-BEAM HEIGHT IS 120 1/16"
- BASE HEIGHT IS 18"
- I-BEAM SIZE IS 6" HEIGHT X 4" FLANGE WIDTH
- DURABLE LIQUID PAINT BLUE FINISH
- FORK CENTERS IS 24"
- USABLE FORK POCKETS IS:
7 5/8" W X 2 5/8" H

SPECIAL FEATURES

NONE

APPROVAL	I, THE UNDERSIGNED, AGREE THAT THE PRODUCT AS REPRESENTED SATISFIES DESIGN AND DIMENSION REQUIREMENTS. I ALSO ACKNOWLEDGE MY DUTY TO CONFIRM PRODUCT AND INSTALLATION COMPLIANCE WITH ALL APPLICABLE FEDERAL, STATE AND LOCAL REGULATIONS AND STANDARDS.	
	UNITS REQUIRING APPROVAL DRAWINGS OR MODIFIED ARE NON-RETURNABLE	
	[] As drawn	[] As marked
	Signed: _____	Date: _____
	Printed Name: _____	
	LEAD TIME WILL START UPON RECEIPT OF SIGNED APPROVAL DRAWING	

DISTRIBUTOR'S NAME:		P.O.#
VESTIL MANUFACTURING		X
		W.O.#
		X
DRAWN BY: ND	DATE: 8/26/2009	SALES: X
REFERENCE: X	SCALE: 1:30	FILE NAME:
QUOTED LEAD TIME: X	QUOTE # X	28-007-181-001